

Electric Switches

The combination of a multipole electric switch with the Drallim valves heralds a new era in process safety systems.

The introduction of an explosion category electric switch further enhances the applications to which these devices are applied.

Typical applications are feedback to DCS systems, remote and local actuation of fire prevention and damping systems, graduated loading and unloading of compressors, starting and stopping pumping systems.

The electric switches below can be fitted to the valves detailed within this catalogue with exception of those with a base entry connection.



4 & 6 Way EEx d IIB T4-T6 IP67 Single Pole



SPECIFICATIONS

Explosion Protection Code	EEx d IIB T4-T6
Electrical Ratings	15A/250 VAC 10A/28 VDC 0.2A/125 VDC
Switch	V3 SPDT
Gland Entry (2 off)	M20 X 1.5
Ingress Protection	IP67
Enclosure Material	Aluminium

Order Code

WL

4 & 6 Way Non EEx d Multi Pole



SPECIFICATIONS

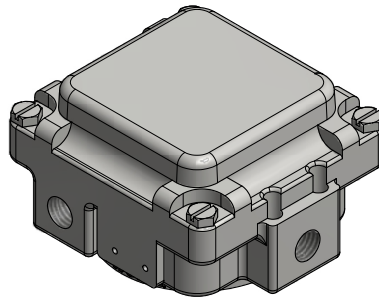
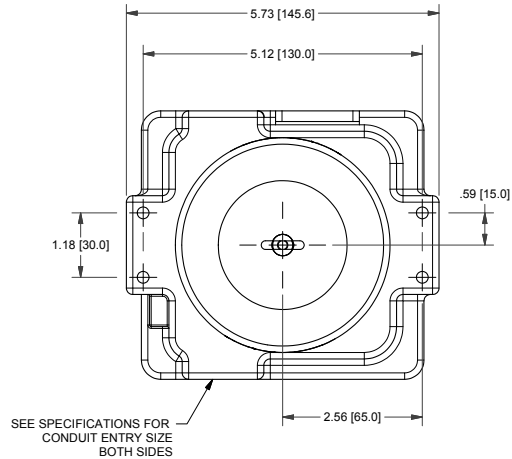
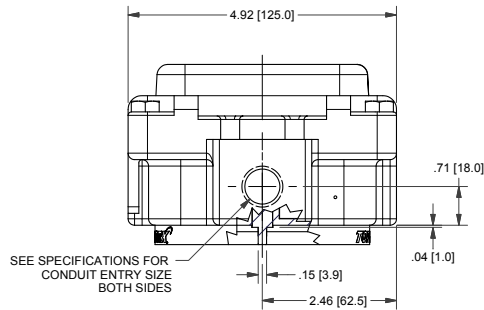
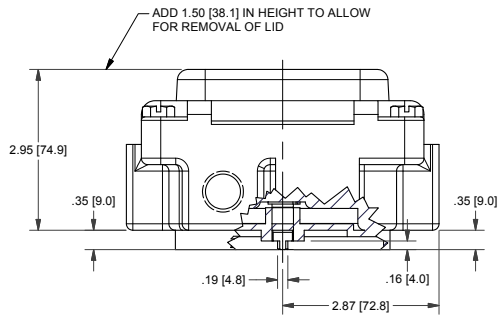
Voltage (nominal)	690v
Current (rated)	20A
Weatherproof Enclosure (optional)	IP65

4 Way

No. of Poles	1	2	3	4	5	6
No. of Stages	1	2	3	4	5	6
Order Code	2843	2844	2845	2846	2847	2848

6 Way

No. of Poles	1	2	3	4		
No. of Stages	2	3	5	6		
Order Code	2853	2854	2855	2856		



MODEL NUMBER

TXP-M4CFNMM

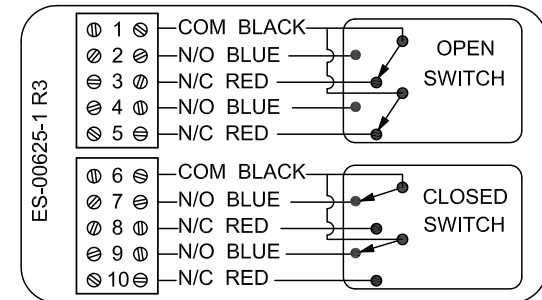
PRODUCT LINE

Switchbox TXP and TXS

SPECIFICATIONS

Enclosure	Tropicalized Aluminum
Bus/Sensor	(4) Mech SPDT
Area Classification	Flame Proof
Visual Display	Flat-top
Shaft	NAMUR
Conduit Entries	(2) M20
O-Rings	Silicone
Pilot	No pilot option
Spool Valve	No spool valve option
Valve Cv	No valve Cv option
Manual Override	No manual override option
Regional Certification	No regional cert option
N Switch	No N Switch

WIRING DIAGRAM



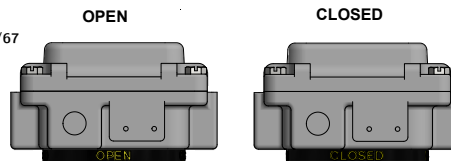
NAMEPLATE



Ex db IIC T6/T4 Gb; -65°C ≤ Ta ≤ 40°C/80°C
 Ex tb IIIC T85°C/T135°C Db; -50°C ≤ Ta ≤ 40°C/80°C; IP66/67
 Sira 04ATEX1218X IECEx SIR 06.0054X
 SWITCH: SPDT 10A/250VAC; 3A/24VDC

TopWorx
 3300 Fern Valley Road
 Louisville, KY 40213 USA
 www.topworx.com

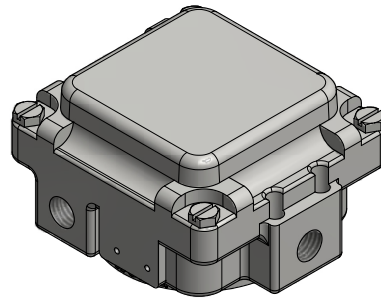
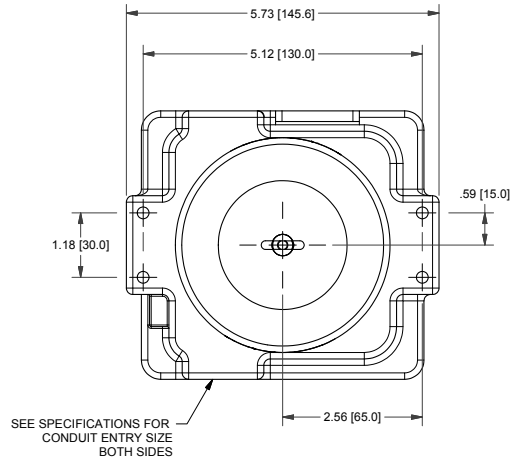
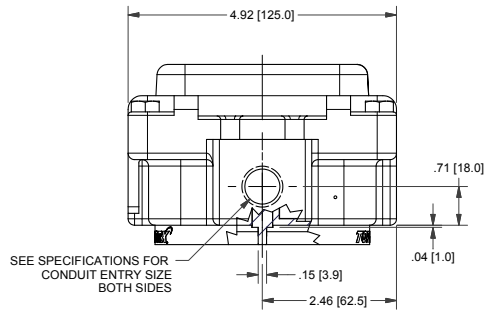
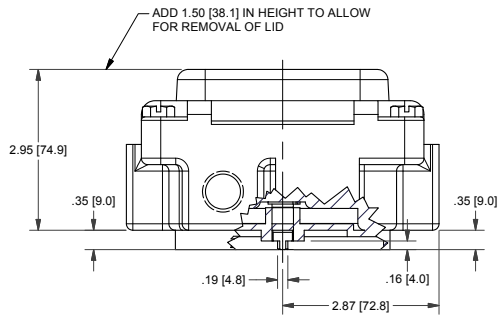
Model #:
Serial #:



Current as of January 22, 2020 – Subject to change without notice.

TOPWORX
 3300 Fern Valley Road
 Louisville, KY 40213

(502)969-8000 PH
 (502)969-5911 FAX
 www.topworx.com



MODEL NUMBER

TXP-M40FNMM

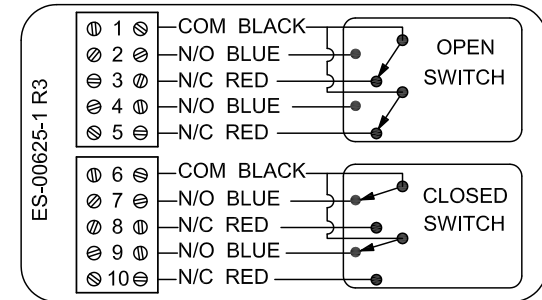
PRODUCT LINE

Switchbox TXP and TXS

SPECIFICATIONS

Enclosure	Tropicalized Aluminum
Bus/Sensor	(4) Mech SPDT
Area Classification	Intrinsically safe
Visual Display	Flat-top
Shaft	NAMUR
Conduit Entries	(2) M20
O-Rings	Silicone
Pilot	No pilot option
Spool Valve	No spool valve option
Valve Cv	No valve Cv option
Manual Override	No manual override option
Regional Certification	No regional cert option
N Switch	No N Switch

WIRING DIAGRAM



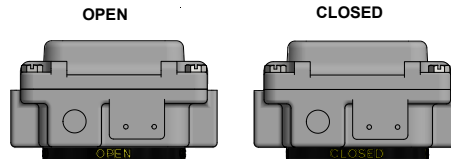
NAMEPLATE



Ex ia IIC T6 Gb; -65°C ≤ Ta ≤ 55°C
 Ex tb IIIC T75°C Db; -50°C ≤ Ta ≤ 55°C; IP66/67
 Sira 14ATEX2122X IECEx SIR 14.0045X
 SWITCH: Ui=30V, Ii=200mA, Pi=0.34W

TopWorx
 3300 Fern Valley Road
 Louisville, KY 40213 USA
 www.topworx.com

Model #:
 Serial #:



Current as of January 22, 2020 – Subject to change without notice.

TOPWORX
 3300 Fern Valley Road
 Louisville, KY 40213

(502)969-8000 PH
 (502)969-5911 FAX
 www.topworx.com

ACCUTRAK™ ROTARY POSITION MONITORS

FLAMEPROOF - ATEX/IEC

Rotary position monitors certified to Exd Flameproof and specifically engineered for hazardous environments. Available with a range of position sensors and switches



FEATURES

- Flameproof design meeting a wide range of worldwide approvals.
- Touch set cams are hand adjustable, spring loaded and self-locking providing quick calibration of position switches and sensors.
- Strong durable Beacon™ offers 360° visual indication in a choice of styles and colors.
- Terminal strips are pre-wired and numbered with generous working space for ease of use.
- Additional conduit for easy field wiring and mounting accessories as standard.
- Wide range of switches and sensors.
- Position transmitter option.
- Switch stabilisation plate.
- Standardized mounting pattern for easy adaptation to common bracketry.
- Range of drive shaft options.
- Aluminum enclosures with ultra-low copper content (0.2% maximum) ensure robust performance in corrosive environments.
- Rugged stainless steel enclosures.
- IP rated plugs certified where applicable.

TECHNICAL DATA

Agency approvals

Area classification (ATEX/IEC)

2200 series	Ex II 2G Ex d IIB +H2 Ex tD A21 IP6X
2600 series	Ex II 2G Ex d IIC Ex tD A21 IP6X

Enclosure standards (IEC)

All enclosures	IP66/67
----------------	---------

Switches

All models	V3 SPDT mechanical switches
All models	DPDT mechanical switches
All models	V3 slotted and barrel inductive proximity sensors
All models	Magnum SPDT (hermetically sealed proximity type) switches
2200 Series GO	hermetically sealed switches

Enclosures

All models	Aluminum Stainless steel CF8M (316) Option Stainless steel CF3M (316L)
------------	--

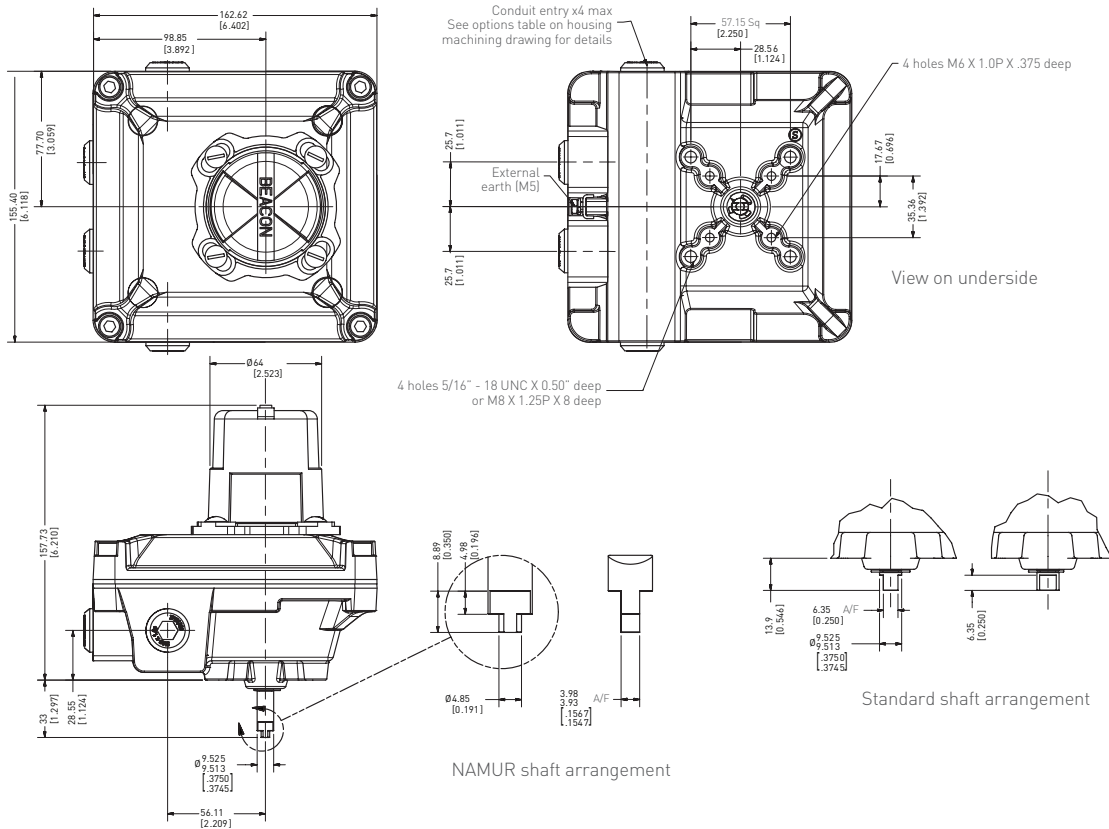
GENERAL APPLICATION

AccuTrak position monitors are ideal for manual and automated rotary valves. They provide consistent and accurate valve monitoring in a compact unit which can be mounted directly or via a valve actuator.

ACCUTRAK™ ROTARY POSITION MONITORS

FLAMEPROOF - ATEX/IEC

2200 SERIES ENCLOSURE DIMENSIONS



Dimensions in mm, imperial dimensions (inches) in parenthesis

TECHNICAL SPECIFICATIONS

Materials of construction	
Enclosure	Aluminum with powder coat finish Stainless steel with electropolished finish
Temp. range	-30°C to +85°C (Flat cover -20°C to +85°C)
Shaft and hardware	Stainless steel
Bushing	Oil impregnated bronze (aluminum enclosure) PTFE (stainless steel enclosure)
Beacon visual indicator	Co-polyester
Drive shaft	
Westlock standard	Double-D with 1/4" A/F
NAMUR standard	NAMUR standard VDI/VDE 3845
Available switches	
	V3 SPDT mechanical switches
	DPDT mechanical switches
	V3 slotted and barrel inductive proximity sensors
	Magnum SPDT (hermetically sealed proximity type) switches
	G0 hermetically sealed switches

NOTES

1. See selection guide for standard conduit entries
2. See switches and sensors data sheet for further information
3. Please consult your sales office for any other requirements

