

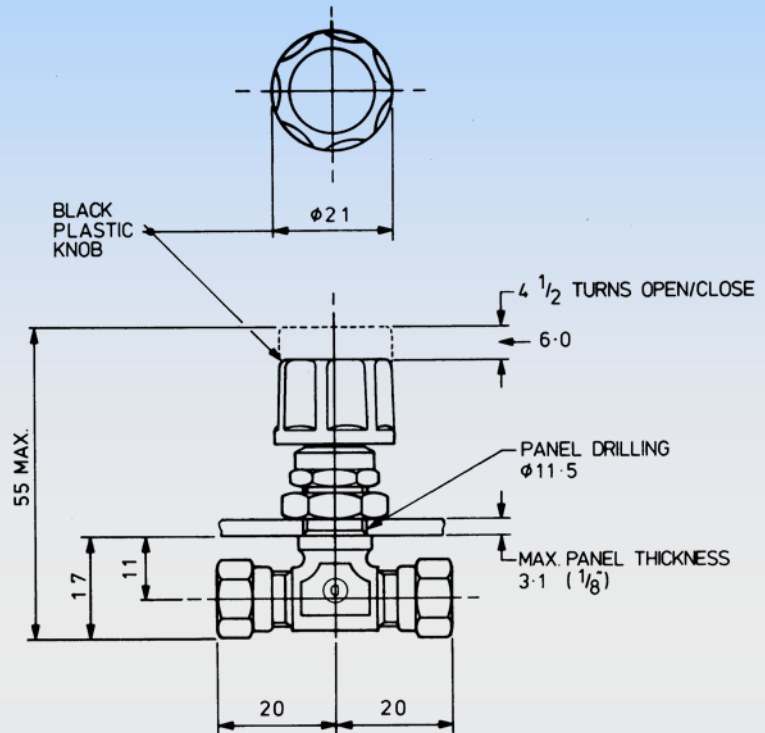
Series 511 Clearflow Control Valves



511
2mm bore, 1/8in unions



511
4mm bore, 1/4in unions



Technical Data

Fluids

Air and other gases, vapours and liquids compatible with the materials of construction.

Pressures

-1 to +10 bar

Temperatures

-40 to +80°C, dependant on o-ring and tube seal materials.

Materials

Bodies - Brass
Stems - Brass & stainless steel
Valve Seat - Nitrile
Knob - Black phenolic

Ordering Code

Connector Size

Tube OD

1/8in **R**
1/4in **B**
6mm **006**

Sealing Material

Nitrile **NE**

Type Designation

511

EXAMPLE **511 NE B**