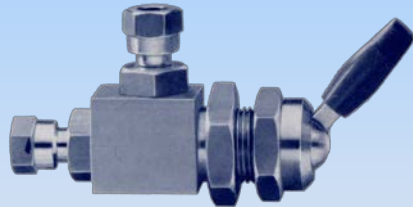
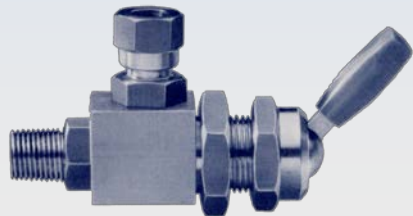
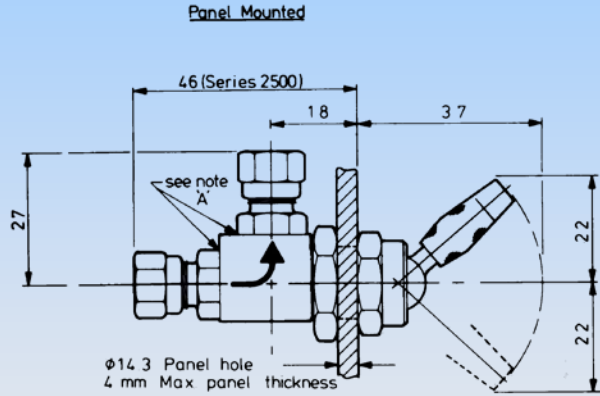




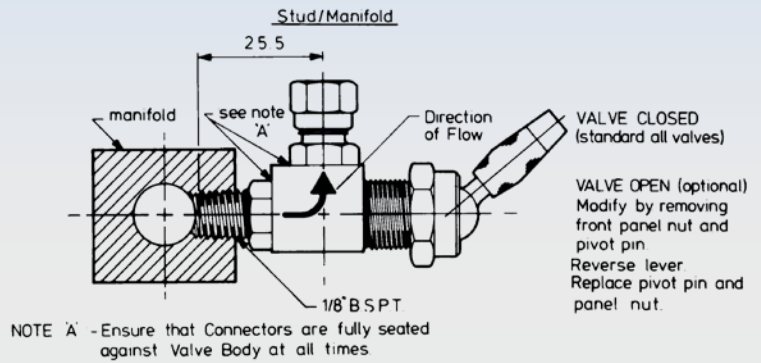
# Series 2500 & 2510 Toggle Valves



**2500**  
Union Connection



**2510**  
Stud Connection



NOTE 'A' - Ensure that Connectors are fully seated against Valve Body at all times

Technical Data	
<b>Fluids</b>	Air and other gases, vapours and liquids compatible with the materials of construction.
<b>Pressures</b>	-1 to +10 bar
<b>Temperatures</b>	-15 to +80°C, dependant on o-ring and tube seal materials.
<b>Materials</b>	Bodies - Brass Stems - Delrin Springs - Stainless steel

Ordering Code	
<b>Connector Size</b>	
<b>Tube OD</b>	
1/8in	<b>R</b>
3/16in	<b>A</b>
1/4in	<b>B</b>
5mm	<b>005</b>
6mm	<b>006</b>
<b>O-Ring Material</b>	
Nitrile	<b>NE</b>
Viton	<b>VN</b>
<b>Type Designation</b>	
Union	<b>2500</b>
Stud	<b>2510</b>
<b>EXAMPLE</b>	<b>2500 NE B</b>