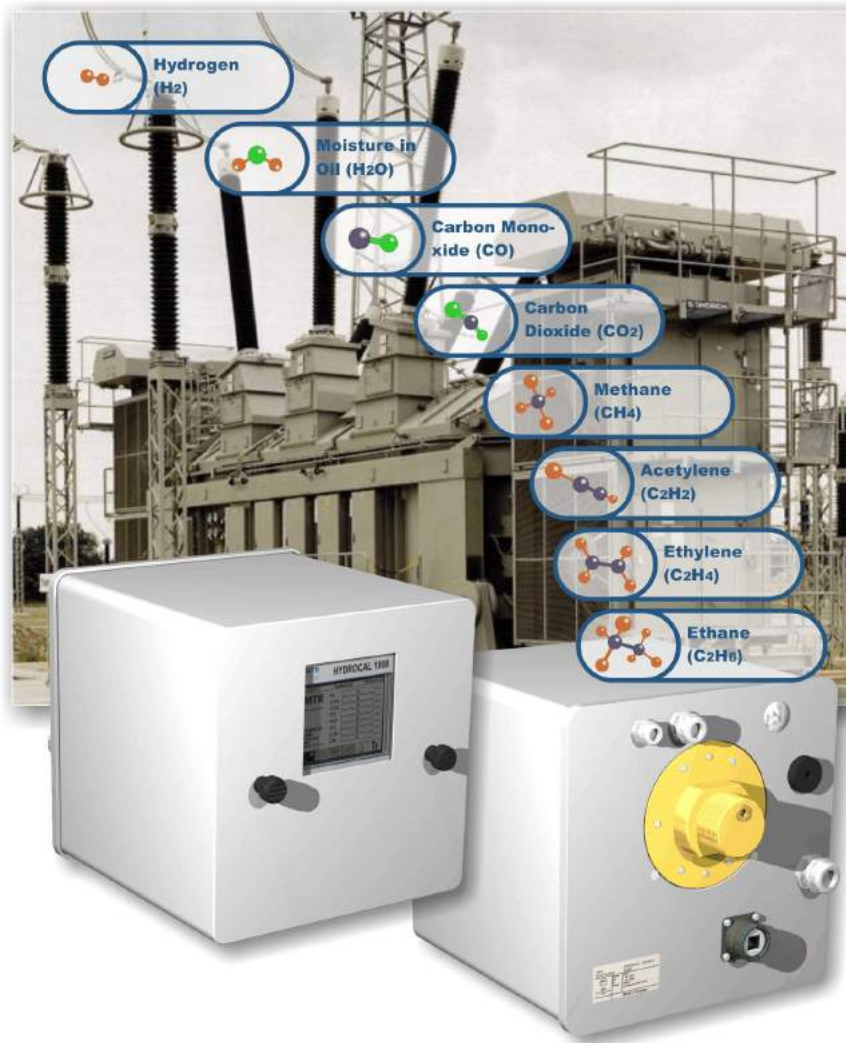


HYDROCAL 1008

Multi-Gas-in-Oil Analysis System with Transformer Monitoring Functions



The HYDROCAL 1008 is a permanently installed multi-gas-in-oil analysis system with transformer monitoring functions. It individually measures, Moisture in Oil (H_2O) and the key gases Hydrogen (H_2), Carbon Monoxide (CO), Carbon Dioxide (CO_2), Methane (CH_4), Acetylene (C_2H_2), Ethylene (C_2H_4) and Ethane (C_2H_6) dissolved in transformer oil.

As Hydrogen (H_2) is involved in nearly every fault of the isolation system of power transformers and Carbon Monoxide (CO) is a sign of an involvement of the cellulosic / paper isolation the presence and increase of Acetylene (C_2H_2) and Ethylene (C_2H_4) further classifies the nature of a fault as overheating, partial discharge or high energy arcing.

The device can serve as a compact transformer monitoring system by the integration / connection of other sensors present on a transformer via its optional analog inputs:

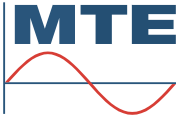
- 4 Analog inputs 0/4 ... 20mA DC
- 6 Analog inputs 0/4 ... 20mA AC +20% or 0 ... 80 VAC +20% (configurable by jumpers)

It is further equipped with digital outputs for the transmission of alarms or the execution of control functions (e.g. control of a cooling system of a transformer):

- 8 digital relay outputs
- 5 digital optocoupler outputs (Option)

Key Advantages

- Individual measurement of Hydrogen (H_2), Carbon Monoxide (CO), Carbon Dioxide (CO_2), Methane (CH_4), Acetylene (C_2H_2), Ethylene (C_2H_4) and Ethane (C_2H_6)
- Moisture in Oil (H_2O) measurement
- Easy to mount on a transformer valve (G 1 1/2" DIN ISO 228-1 or 1 1/2" NPT ANSI B 1.20.1)
- Installation on the operational transformer without any operational interruption
- Advanced software (on the unit and via PC)
- Maintenance free system
- Communication interfaces ETHERNET 10/100 Mbit/s (copper-wired / RJ 45 or fibre-optical / SC Duplex) and RS 485 to support MODBUS[®] RTU/ASCII, MODBUS[®]TCP, DNP3 and proprietary communication protocols and to be open / prepared for substation communication protocol IEC 61850
- Optional on-board GSM or analog modem for remote access
- Optional DNP3 serial modem for SCADA connection
- Optional HV and LV bushing sensors for HV and LV bushing monitoring applications via communication interface



Transformer monitoring functions

Voltages and Currents

(via voltage and current transformers / transducer)

Temperature Monitoring

Bottom and top oil temperature, ambient temperature
(via additional temperature sensors)

Cooling Stage / Tap Changer Position

(e.g. via current transducer)

Free configuration

Analog inputs can be free allocated to any additional sensor

Further Calculations:

Hot-Spot (acc. IEC 60076) } joint development
Loss-of-Life } with PAUWELS
Ageing Rate } Belgium



HV and LV Bushing monitoring functions (option)

The Bushing Monitoring System simultaneously monitor's the bushing leakage current of 2, three phase groups of bushings. The Bushing Monitoring system incorporates three different measurement modes on each tested component to provide accurate Power Factor and Capacitance values to evaluate the condition of bushing insulation. The measurement modes are:

Phase comparison

Compares the power factor of tested component with another tested component energized with the same phase voltage

Sum of three current test

Measures the imbalance current from the summation of A, B and C phase currents from three tested components such as the three HV or LV bushings on the transformer

Adjacent phase reference test

compares the power factor of the tested components with other phase components on the same equipment

The bushing sensors / adapters are connected to the capacitor taps designed for all types of bushings to allow measurement of the leakage current up to 140 mA. The adapters are designed for bushings with grounded and underground capacitor taps. The adapter is designed to prevent a voltage developing on the equipment should the sensor become disconnected from Bushing Monitoring System.

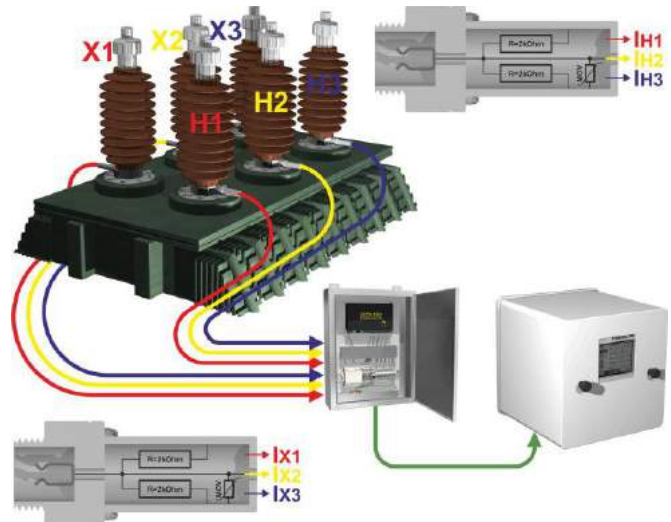
Different bushing sensor configurations possible:

- Monitoring of high voltage side
- Monitoring of high- and low voltage side
- Reference HV bushing from other transformers
- Reference CCVT / CCPT

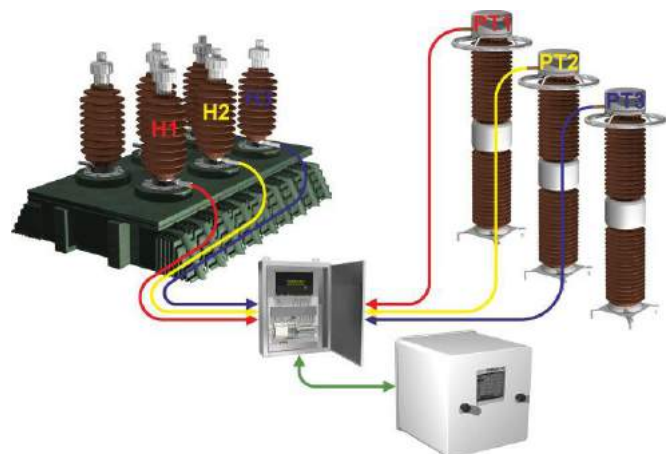
Configuration with 3, 6, 9¹⁾ or 12¹⁾ bushing sensors possible.

Notes

¹⁾ Two Bushing Monitoring units necessary



Monitoring of high- and low voltage side



Reference CCVT / CCPT

HYDROCAL firmware main menu

1 Extraction status

- Shows the actual operating status of the unit

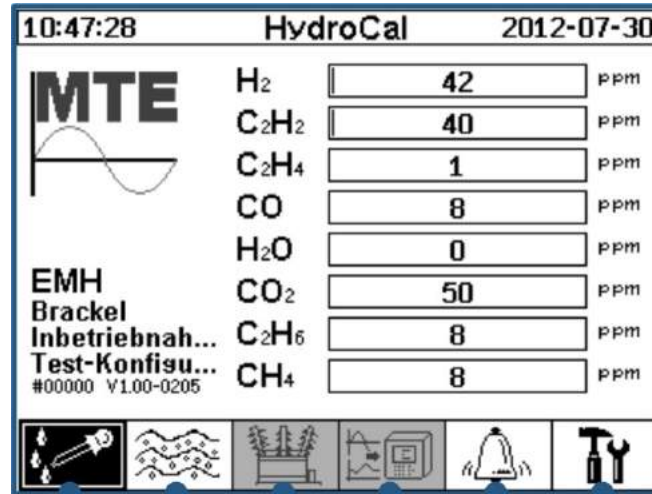
2 Gas-in-oil overview

- Column chart
- Trend graph
- Data table

3 Transformer specific measurements

- Trend graph
- Data table

(to be included)



4 Additional sensor measurements

- Trend graph
- Data table

(to be included)

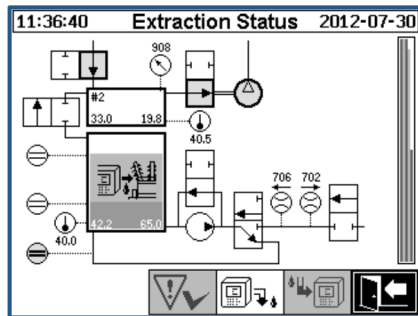
5 Alert overview

- Alert acknowledgement
- Alert table

6 Device setup

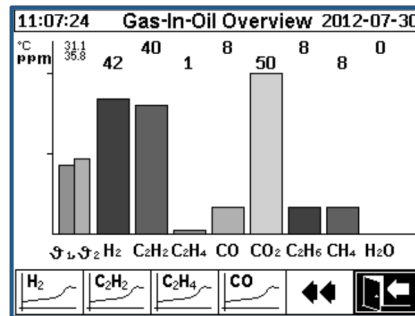
- Alert level setting
- Communication setting
- Transformer setting
- In- and output setting

Extraction status



Shows the status of the actual process step and information of safety functions.

Gas-in-oil overview



Individual chart diagram for Hydrogen (H₂), Carbon Monoxide (CO), Carbon Dioxide (CO₂), Methane (CH₄), Acetylene (C₂H₂), Ethylene (C₂H₄) and Ethane (C₂H₆) and Moisture in Oil (H₂O) and temperatures.

Alert overview

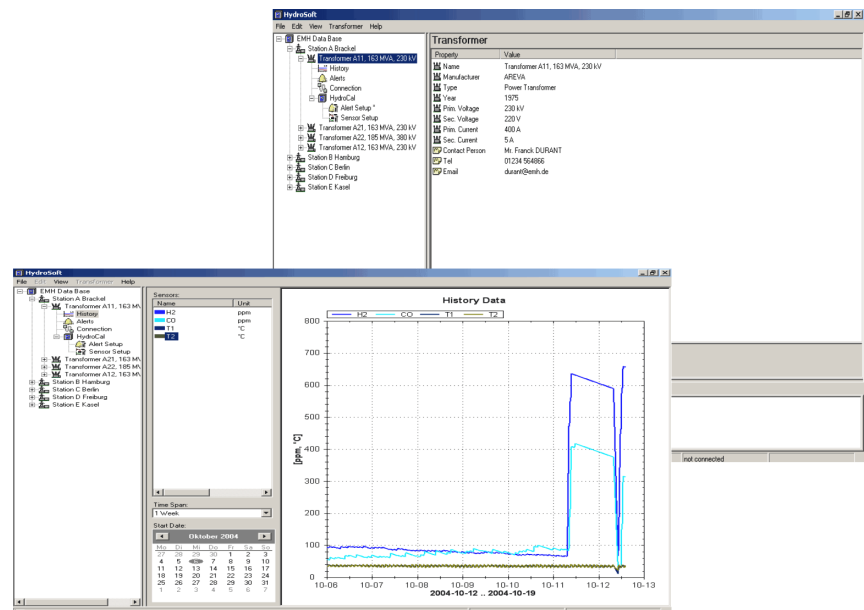
Selection of Alert			
#	Name	Date/Time	Status
1	H2-Alert	07-30 11:09	✓
2	CO-Alert	07-30 11:10	✓
3	CO2-Alert	07-30 11:10	✓
4	C2H2-Alert	07-30 11:12	✓
5	C2H4-Alert	07-30 11:12	✓
6	C2H6-Alert	07-30 11:13	✓
7	CH4-Alert	07-30 11:13	✓
8	H2O-Alert	07-30 11:14	✓

Display of alarm list. Details of each alarm and individual settings is shown.

HydroSoft PC-Software

Program key features

- Configuration and administration of each individual HYDROCAL unit
- Data and configuration read out of HYDROCAL units
- Processing and presentation of data read out (Trend or table)
- Further processing of the processed data (Excel, CSV, clipboard and printing)
- Storage of the processed data and unit configuration
- Automatic data read out and alerting by e-mail



Technical data HYDROCAL 1008

General

Optional nominal voltages of auxiliary supply:	120 V -20% +15% AC 50/60 Hz ¹⁾ or 230 V -20% +15% AC 50/60 Hz ¹⁾ or 120 V -20% +15% DC ¹⁾ or 230 V -20% +15% DC ¹⁾ Other nominal voltages on request!
Power consumption:	max. 350 VA
Housing:	Aluminium
Dimensions:	W 263 x H 263 x D 327.5 mm
Weight:	approx. 15 kg
Operation temperature: (ambient)	-55°C ... +55°C (below -10°C display function locked)
Oil temperature: (in the transformer)	-20°C ... +90°C
Storage temperature: (ambient)	-20°C ... +65°C
Oil Pressure:	0 - 800 kpa (negative pressure allowed)
Connection to valve:	G 1½" DIN ISO 228-1 or 1½" NPT ANSI B 1.20.1

Safety

	CE certified
Isolation protection:	IEC 61010-1:2002
Degree of protection:	IP-55

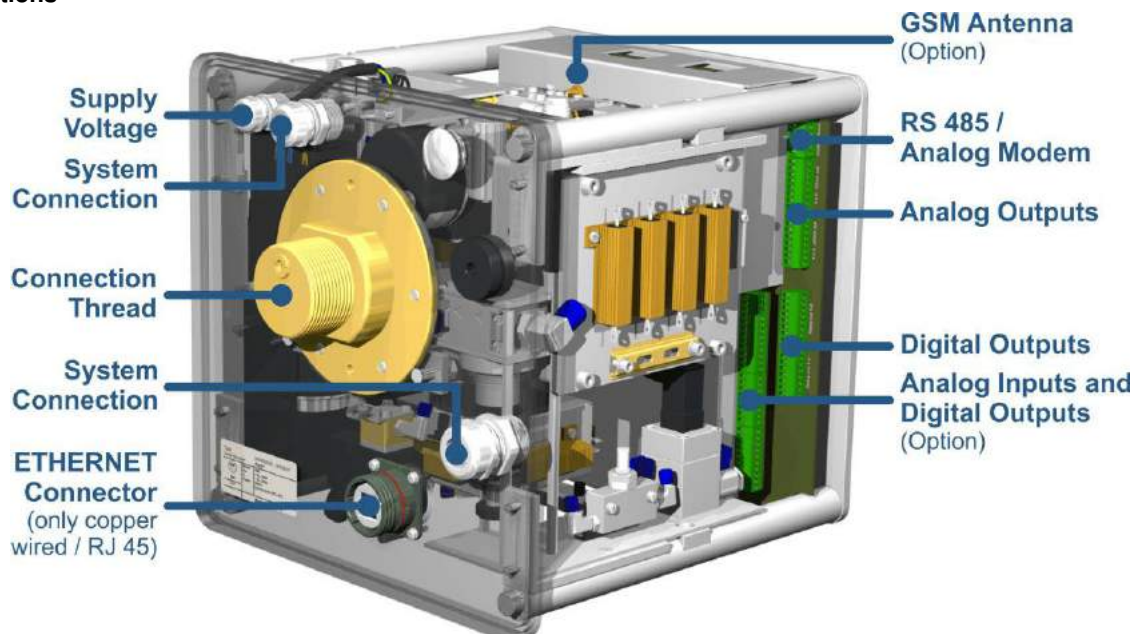
Measurements

Gas/Moisture in oil Measurement		Accuracy ^{2) 3)}
Measuring quantity	Range	
Hydrogen H ₂	0 ... 2.000 ppm	± 15 % ± 25 ppm
Carbon Monoxide CO	0 ... 5.000 ppm	± 20 % ± 25 ppm
Carbon Dioxide CO ₂	0 ... 20.000 ppm	± 20 % ± 25 ppm
Methane CH ₄	0 ... 2.000 ppm	± 20 % ± 25 ppm
Acetylene C ₂ H ₂	0 ... 2.000 ppm	± 20 % ± 5 ppm
Ethylene C ₂ H ₄	0 ... 2.000 ppm	± 20 % ± 10 ppm
Ethane C ₂ H ₆	0 ... 2.000 ppm	± 20 % ± 15 ppm
Moisture in Oil H ₂ O	0 ... 100 ppm	± 3 % ± 3 ppm

Operation principle

- Miniaturized gas sample production based on headspace principle (no membrane, negative pressure proofed)
- Patent-pending oil sampling system (EP 1 950 560 A1)
- Near-infrared gas sensor unit for CO, C₂H₂ and C₂H₄
- Near-infrared gas sensor unit for CO₂, CH₄ and C₂H₆
- Micro-electronic gas sensor for H₂
- Thin-film capacitive moisture sensor H₂O
- Temperature sensors (for oil and gas temperature)

Connections



Analog and digital outputs

8 x Analog DC outputs		Default concentration (Free assignment)
Type	Range	
1 x Current DC	0/4 ... 20 mADC	Hydrogen H ₂
1 x Current DC	0/4 ... 20 mADC	Acetylene C ₂ H ₂
1 x Current DC	0/4 ... 20 mADC	Ethylene C ₂ H ₄
1 x Current DC	0/4 ... 20 mADC	Carbon Monoxide CO
1 x Current DC	0/4 ... 20 mADC	Moisture in Oil H ₂ O
1 x Current DC	0/4 ... 20 mADC	Carbon Dioxide CO ₂
1 x Current DC	0/4 ... 20 mADC	Ethane C ₂ H ₆
1 x Current DC	0/4 ... 20 mADC	Methane CH ₄

8 x Digital outputs		Max. Switching capacity (Free assignment)
Type	Control voltage	
8 x Relay ⁴⁾	12 VDC	220 VDC/VAC / 2 A / 60 W

Analog inputs and digital outputs (option)

6 x Analog AC inputs		Accuracy	Remarks
Type	Range	of the measuring value	
6 x Current AC or 6 x Voltage AC	0/4 ... 20 mA +20% or 0 ... 80 V +20%	≤ 1.0 %	Configurable by jumpers ⁶⁾

4 x Analog DC inputs		Accuracy	Remarks
Type	Range	of the measuring value	
4 x Current DC	0/4 ... 20 mADC	≤ 0.5 %	

5 x Digital outputs		Max. Switching capacity (Free assignment)
Type	Control Voltage	
5 x Optocoupler ⁵⁾	5 VDC	U _{CE} : 24 V rated / 35 V max. U _{EC} : 7 V max. I _{CE} : 40 mA max.

Communication

- RS 485 (proprietary or MODBUS[®] RTU/ASCII protocol)
- ETHERNET 10/100 Mbit/s copper-wired / RJ 45 or fibre-optical / SC Duplex (proprietary or MODBUS[®] TCP protocol)
- On-board GSM or analog modem for remote access (Option)
- On-board DNP3 serial modem (Option)

Notes

- 1) 120 V ⇒ 120 V -20% = 96 V_{min} 120 V +15% = 138 V_{max}
230 V ⇒ 230 V -20% = 184 V_{min} 230 V +15% = 264 V_{max}
- 2) Related to temperatures ambient +20°C and oil +55°C
- 3) Accuracy for moisture in oil for mineral oil types
- 4) Relay 1: System alarm / Relay 2 ... 8: Free assignment
- 5) Optocoupler 1 ... 5: Free assignment
- 6) Default jumper configuration: Current