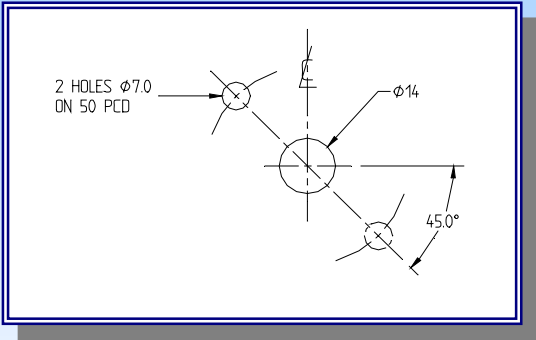
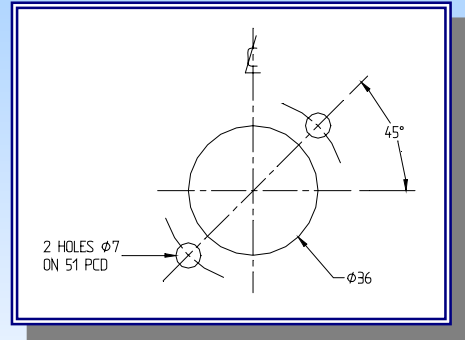




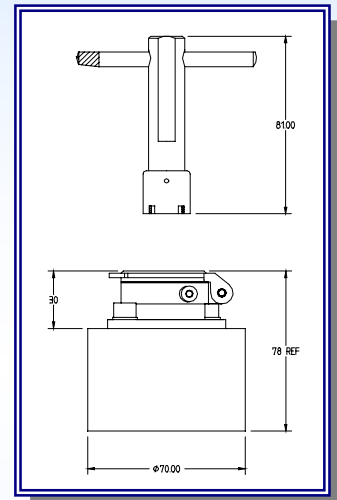
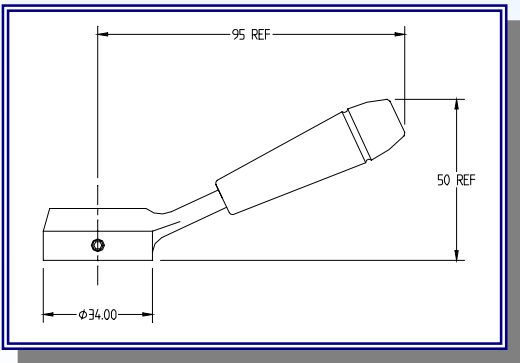
# Series 70 Installation



Panel Mounting Detail



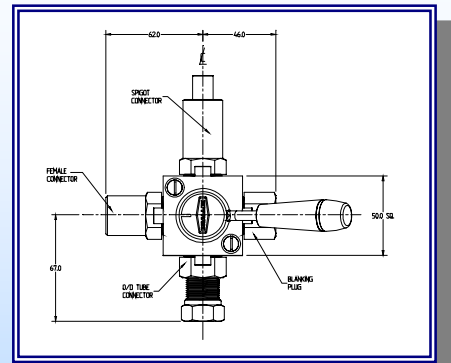
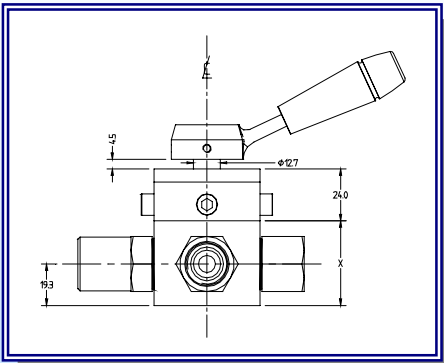
Handle Options



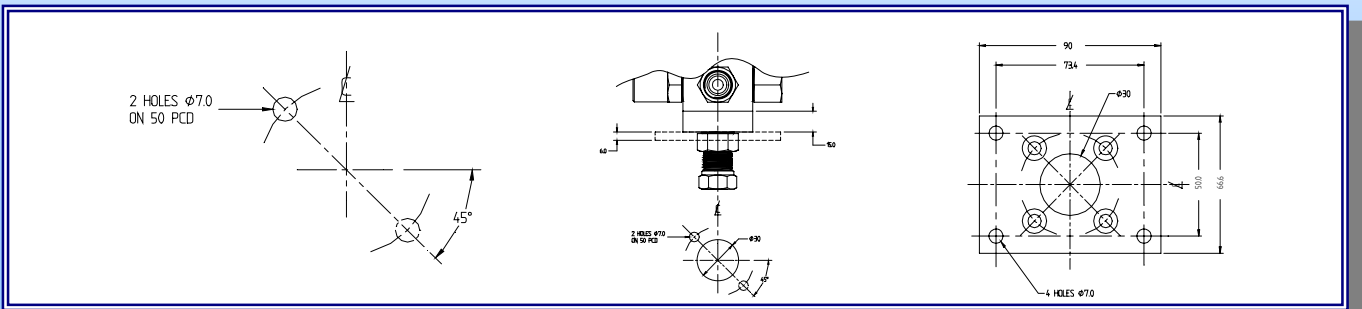
Body Dimensions

No Of Banks	Dimension X
1	39.5
2	79

All Dimensions In mm



Base Mounting Detail





## Notes

A large, empty white rectangular box with a thin black border, intended for taking notes.