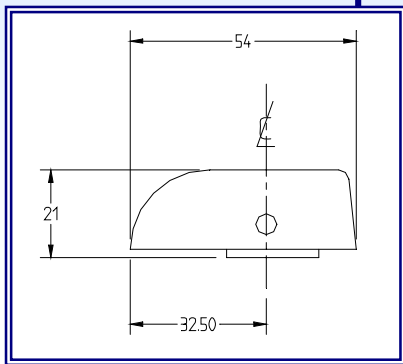
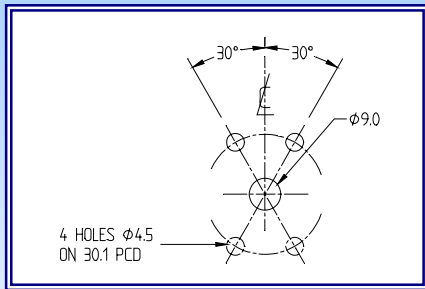


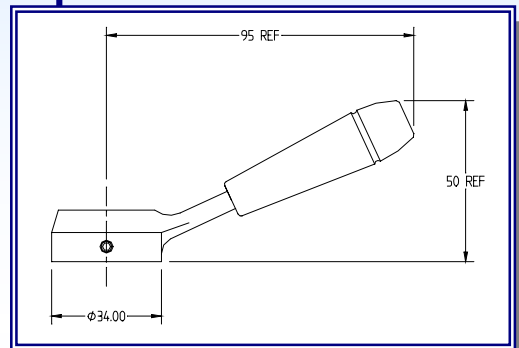


Series 60 Installation

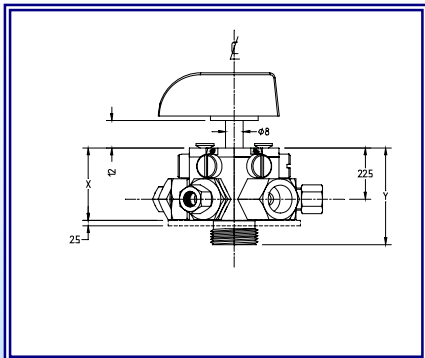
Panel Mounting Detail



Handle Options



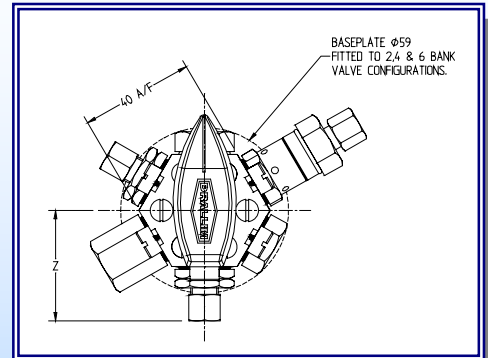
Body Dimensions



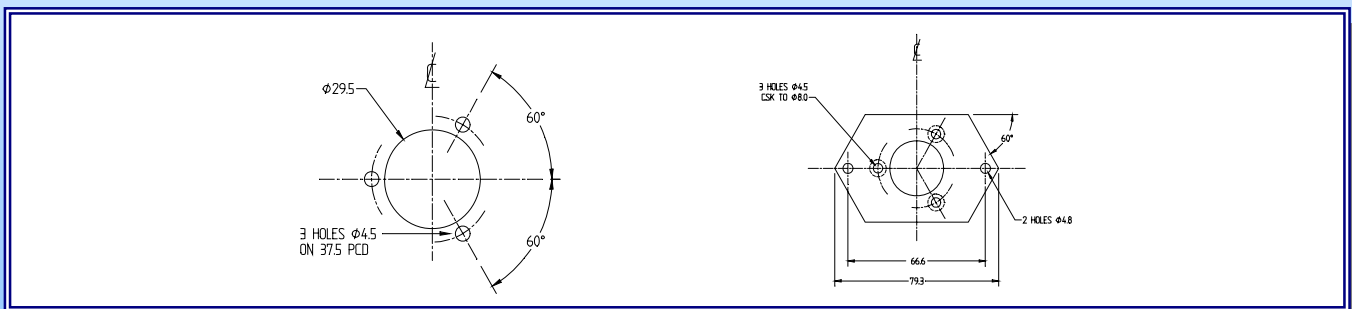
No Of Banks	Dim X	Dim Y
1	32	42.5
2	60	75
3	85.5	96
4	113.5	128.5
5	139	150
6	167	182

Connector Type	Dim Z
Blanking Plug	28
Venting	60
O/D Tube	39.5
Female Threaded	41

All Dimensions In mm



Base Mounting Detail



Notes

A large, empty rectangular box with a thin black border, occupying most of the page below the 'Notes' header. It is intended for the user to write their notes.